



Commercial Condensing Gas Water Heater

Water tube heat exchanger combined with an optimized burner and ignition system, available from 1250 to 4000 MBTU input

Up to 98% thermal efficiency (99.9% on 4000 model)

Four models from 1250 to 4000 MBTU input

Up to 9:1 turndown

Four pass stainless steel heat exchanger (ASME H and HLW), National Board & CRN

- Easy use touch screen display
- Cascading option
- Optimized serviceability
- Small footprint
- Certifications (including pending): ANSI Z21.103/CSA4.3, SCAQMD & TCEQ; AHRI; ASME CSD-1
- 160 PSIG maximum allowable working pressure
- 210°F design temperature

A space saving water heater that's easy to install

The Prime NX Plus is a state-of-the-art condensing gas fired water heater and boiler developed to deliver high performance efficiencies, quality, and durability. At the center of this new design is the ASME certified stainless steel water tube heat exchanger combined with an optimized burner



PRIME SERIES
NX PLUS

and ignition system, available from 1250 to 4000 MBTU input. A fully integrated control system with a full color touch screen provides access to, and continuous monitoring of, critical operating parameters allowing the system to operate at up to 98% efficiency (the NX-4000 operates at 99.9% efficiency). Additionally, the NX Plus is packaged in an outdoor rated enclosure that minimizes required floor space while offering unparalleled access for scheduled services.

Over 100 years of water heating expertise

Hubbell water heaters are the right choice for your commercial and industrial applications. We have water heating solutions for most energy sources with storage capacities from 1–10,000 gallons — all designed, engineered, and manufactured for reliability and longevity coupled with unparalleled support and service.



Standard Features

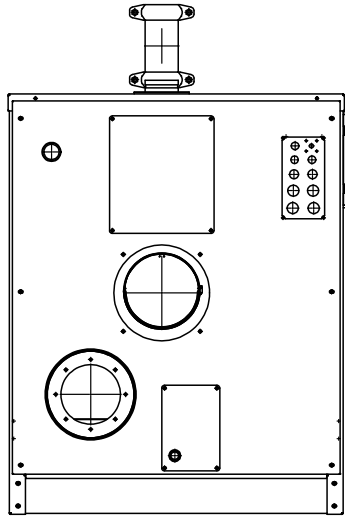
GENERAL
316L stainless steel, condensing heat exchanger
Extremely low NOx emissions
Field convertible from NG to LPG
Maximum setpoint of 194°F (Boiler) and 185°F (Water Heater)
Integrated relays for main power supply
Outdoor model by default
Easy placement with lifting lugs and side access of a forklift
Easy access during commissioning and maintenance
Direct-spark ignition
Sealed combustion
Low gas pressure operation 3.5 in H ₂ O NG; 8 in H ₂ O CP
Vertical and horizontal vent termination
Category IV venting up to 150 feet for both inlet and exhaust
On/Off main power switch
High and low gas pressure switches with manual reset
Flow switch

CONTROL MODULE
Integrated cascade manager up to 16 units
Easy to use full text display
Most important connectivity options for CH systems, like 0-10V, OpenTherm and Modbus
Password security
Low water flow safety control and indication
Freeze protection
Service reminder
Time clock
Hours running
Ignition attempts
Last 10 lockout
Night setback (on CH model)
Boost functionality (on CH model)
High voltage alarm connection
18 languages integrated, including English, French and Spanish
Inlet and outlet temperature sensors

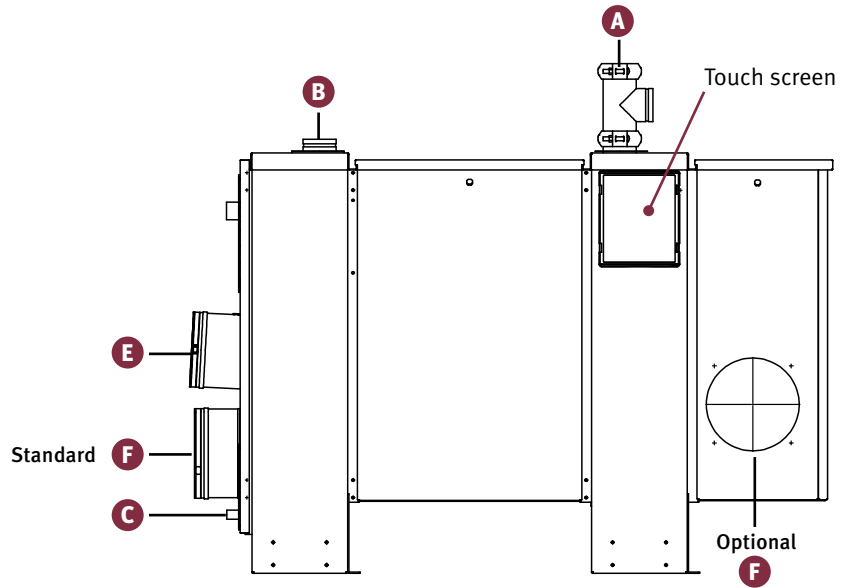


USER INTERFACE
Easy to use touch screen
All cascaded units visible in one touch screen
Cascade performance graph visible
Single unit performance graph visible
Boiler status screen shows most important values, like temperatures, status of the unit and much more
6 languages integrated, including English, French and Spanish
Outdoor reset screen for easy adjustments

Water Heater Dimensions



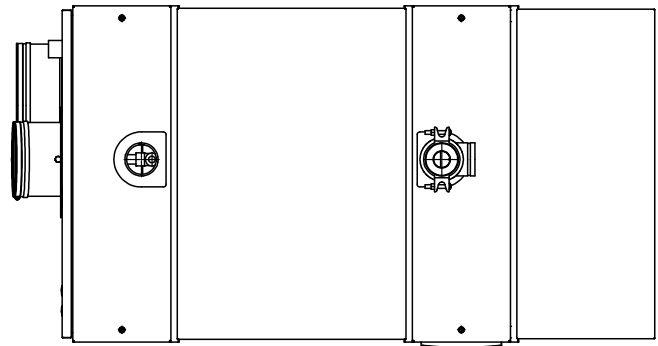
BACK VIEW



SIDE VIEW



OPEN FRONT VIEW



TOP VIEW

All information is subject to change without notice.
Consult factory for submittal drawings.

Prime NX Plus Dimensional Data

Model Number	Input MBH	"A" Supply	"B" Return	"C" Condensate	"D" Gas Inlet	"E" Vent	"F" Air Intake <i>(Standard and Optional)</i>	Size (H" x W" x D")	Weight (lbs) approx*
NX+ 1250	1250	2-½" ANSI FLG	2-½" ANSI FLG	1-¼"	2" NPT	8"	8"	47 x 34 x 55	992
NX+ 2000	2000	2-½" ANSI FLG	2-½" ANSI FLG	1-¼"	2" NPT	8"	8"	47 x 34 x 68	1213
NX+ 3000	3000	4" ANSI FLG	4" ANSI FLG	1-¼"	2" NPT	10"	12"	59 x 46 x 79	1984
NX+ 4000	4000	4" ANSI FLG	4" ANSI FLG	1-¼"	2" NPT	12"	12"	59 x 46 x 95	2314

*Weight empty, without packaging and accessories.

Prime NX Plus Number Designation

MODEL	MODEL NUMBER	OPTIONAL EQUIPMENT
NX+	1250	Write/type optional equipment code in the gray box below in alphabetical order. For multiple options separate codes with a dash (-)
	2000	
	3000	
	4000	

NX+ —

Example: NX+1250-C65-G45

A Hubbell Prime NX Plus 1250 MBTU input with optional outdoor sensor and shockmount feet.

Available Voltages and Phases

MODEL	VOLTAGE / PHASE
NX+1250	120/1
NX+2000	208/3
NX+3000	
NX+4000	480/3

Specify voltage and phase:

Warrenty: 5 years on the heat exchanger, covering defects in materials or workmanship. All other components are covered for 1 year.

Optional Equipment

Optional equipment must be called out in the written specifications, use the codes below.

Controller

- C36** BACnet Communications via BMS Gateway
- C65** Outdoor Sensor
- C66** External Flow Temperature Sensor

General

- G43** Vibration Dampers
- G44** Leveling Casters
- G45** Shockmount Feet
- G46** Leveling Feet with Fixing Eye
- G47** Relay DHW or System Pump
- G48** Flange Adapter

Please note:

Optional equipment may impact overall dimensions and weight. Please request submittal drawing from factory.

Available Accessories *(Fill out form below to order accessories.)*

Condensate Neutralization Kit: (Contact factory to order)

Software & Interface Cable: Specify Part # S022.500.015

Accessories Name _____

Part # _____

Accessories Name _____

Part # _____